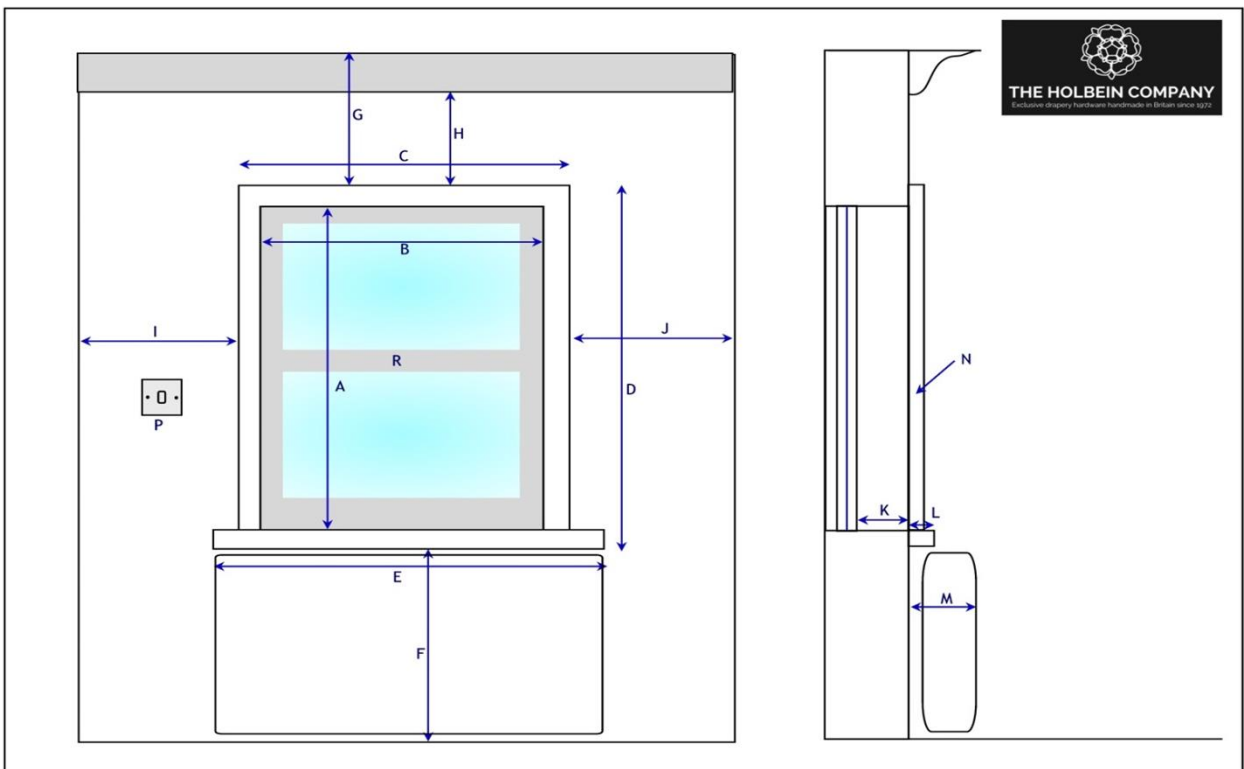


Client		Site		
Room		Window Name		No.
	Dimensions:	Additional Measure Sheets (BAY etc)? (Y/N) qty.		
A	Height of reveal (sill- lintel)		H	Top of window to cornice
B	Width of reveal (wall-wall)		I	Left of window available space
C	Overall width of window		J	Right of window available space
D	Overall height of window		K	Depth of reveal to window frame
E	Overall width of sill or radiator		L	Projection of window sill from wall
F	Floor to lowest point of window		M	Projection of radiator etc.
G	Top of window to ceiling		N	Projection of architrave from wall
P	Window frame description			
R	Light switch locations			



Other comments (e.g. state of building, what might change, good/poor fixing etc.)

Details of Track/Pole/Blind (inc. LENGTH [overall or pole only], diameter, finish finials fittings etc.)	
Bracket type /fixing/position/projection	
Cording/Motor & Stacking requirements	Wiring Details
Tiebacks/Other fittings	
Fitting time	Hang and Dress time
Sketch of window (and other notes if needed)	
Measured by	